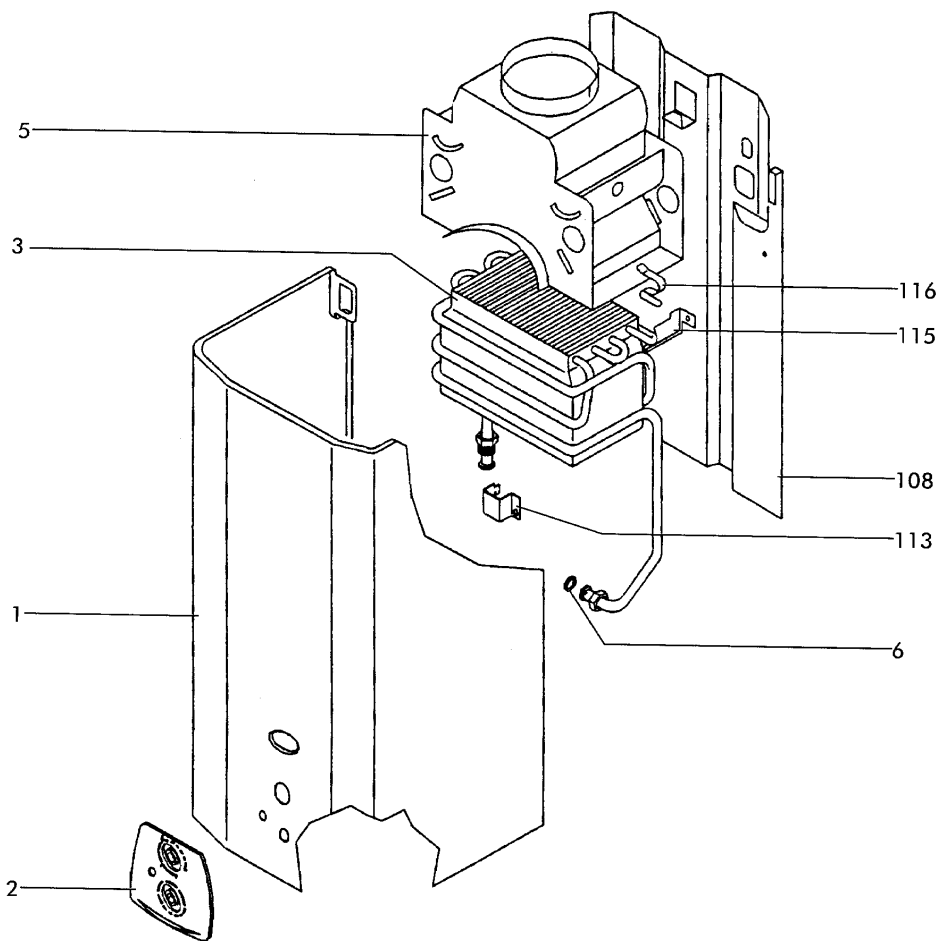




MORCO

Morco D61B / D61E / G111E

External Components



MORCO

Morco D61B / D61E / G111E

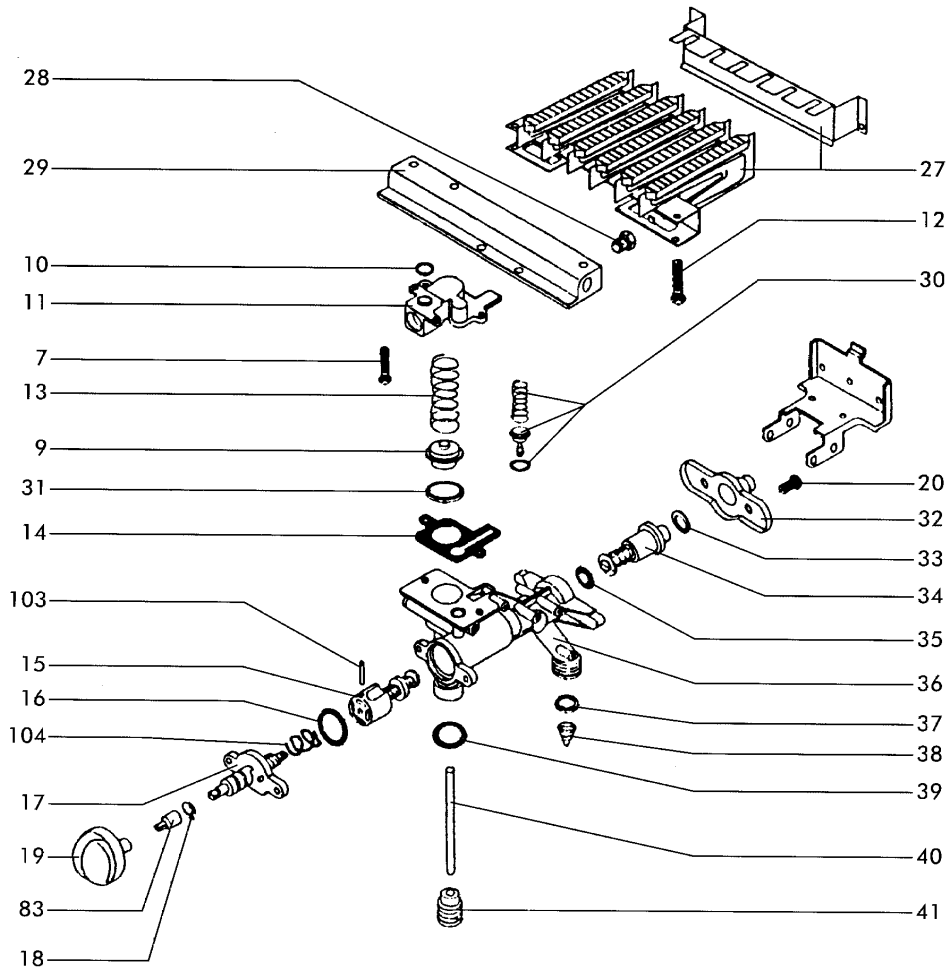
| Key No. | Description | Manufacturers No. | Burden No. |
|---------|-----------------------------------|-------------------|------------|
| 1 | Front Cover D61B | FW0006 | |
| 1 | Front Cover D61E | FW0007 | |
| 1 | Front Cover G111E | FW0005 | |
| 2 | Bezel D61B | FW0019 | |
| 2 | Bezel D61E | FW0020 | |
| 2 | Bezel G111E | FW0018 | |
| 3 | Heat Exchanger D61B, D61E | FW0033 | 563680 |
| 3 | Heat Exchanger G111E | FW0032 | |
| 5 | Diverter Hood D61B, D61E | FW0044 | |
| 5 | Diverter Hood G111E | FW0043 | |
| 6 | Washer (Pack 10) | FW0530 | |
| 108 | Base D61B, D61E | FW0058 | |
| 108 | Base G111E | FW0057 | |
| 113 | Heat Exch Fixing Clamp D61B, E | FW0495 | |
| 113 | Heat Exch Fixing Clamp G111E | FW0496 | |
| 115 | Heat Exch Left Support G111E | FW0500 | |
| 115 | Heat Exch Right Support G111E | FW0505 | |
| 116 | Heat Exch Spring Clip D61B, D61E | FW0512 | |
| 116 | Heat Exch Spring Clip Right G111E | FW0510 | |
| 116 | Heat Exch Spring Clip Left G111E | FW0511 | |



MORCO

Morco D61B / D61E / G111E

Gas Housing / Burner Assembly



MORCO

Morco D61B / D61E / G111E

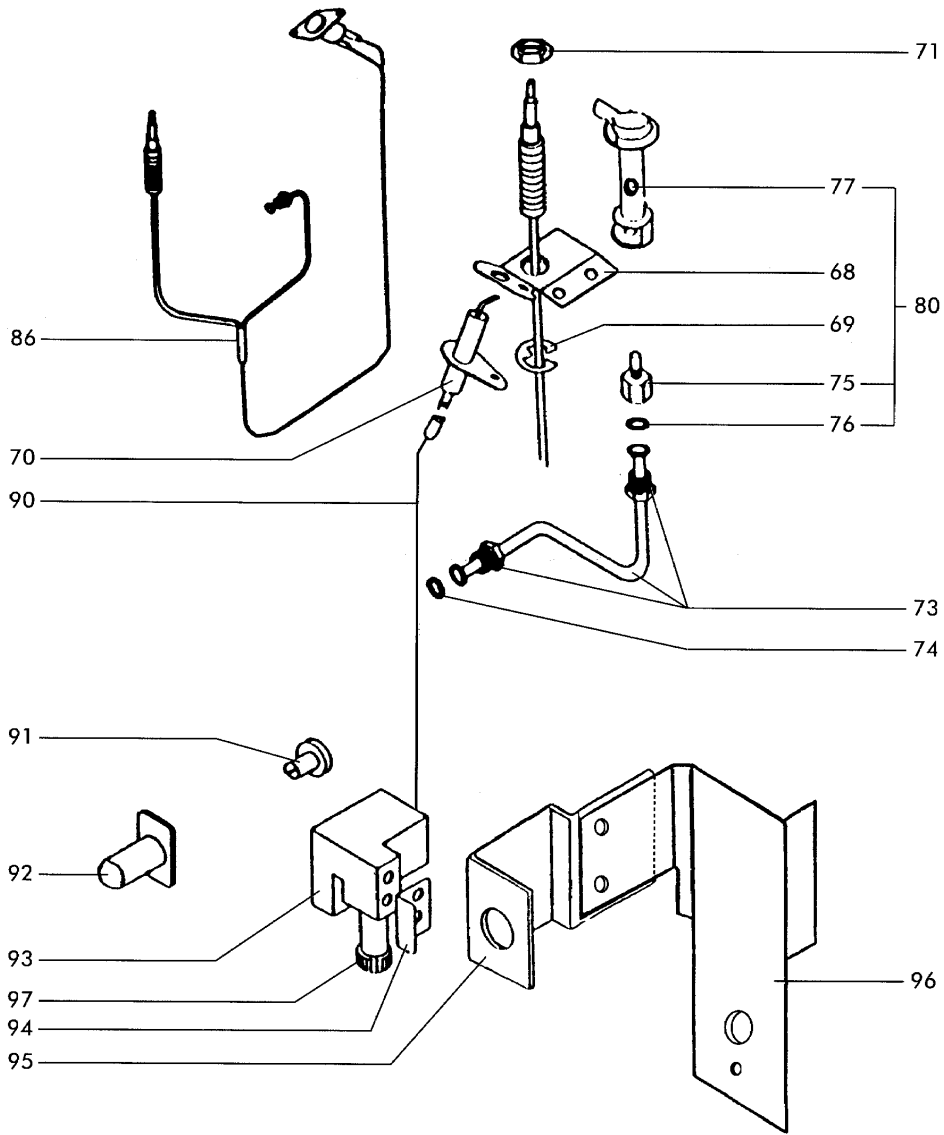
| Key No. | Description | Manufacturers No. | Burden No. |
|---------|--|-------------------|------------|
| 7 | Screw (Pack 10) | FW0560 | |
| 9 | Main Gas Valve Disc (Pack 5) | FW0405 | |
| 10 | Cork Washer (Pack 10) | FW0531 | |
| 11 | Gas Assy Cover D61B , D61E | FW0065 | |
| 11 | Gas Assy Cover G111E | FW0066 | |
| 12 | Screw (Pack 10) | FW0561 | |
| 13 | Main Gas Valve Spring (Pack 5) | FW0396 | |
| 14 | Gasket | FW0533 | |
| 15 | Gas Valve Spindle Assy D61B, D61E | FW0075 | |
| 15 | Gas Valve Spindle Assy G111E | FW0076 | |
| 16 | O-Ring (Pack 10) | FW0534 | |
| 17 | Piezo Spindle Assy D61B | FW0085 | 563118 |
| 17 | Gas Control Spindle Assy D61E,G111E | FW0086 | |
| 18 | Piezo Ignitor Retain Circlip (Pack 10) | FW0563 | |
| 19 | Gas & Water Ctrl Knob White D61B | FW0096 | 563100 |
| 19 | Gas Control Knob Grey D61E, G111E | FW0097 | |
| 19 | Water Cntrl Knob Grey D61E, G111E | FW0098 | |
| 20 | Screw (Pack 10) | FW0562 | |
| 27 | Main Burner D61B, D61E | FW0115 | |
| 27 | Main Burner G111E | FW0113 | |
| 28 | Main Burner Injector (Pack 6) | FW0126 | |
| 29 | Burner Bar c/w Jets, D61B, D61E | FW0135 | 563112 |
| 29 | Burner Bar c/w Jets, G111E | FW0137 | |
| 30 | Pilot Valve Kit | FW0341 | |
| 31 | Main Gas Valve Disc (Pack 10) | FW0536 | |
| 32 | Magnetic Valve Cover Plate | FW0410 | |
| 33 | Brass Washer (Pack 10) | FW0537 | |
| 34 | Magnetic Valve | FW0350 | 563114 |
| 35 | Washer (Pack 10) | FW0538 | |
| 36 | Main Gas Housing (Body Only) | FW0151 | |
| 37 | Main Gas Inlet Washer (Pack 10) | FW0539 | |
| 38 | Gas Filter (Pack 5) | FW0355 | |
| 39 | Gas Valve Push Rod O-Ring (Pack 10) | FW0540 | |
| 40 | Gas Valve Push Rod (Pack 5) | FW0360 | |
| 41 | Push Rod Guide Screw (Pack 5) | FW0365 | |
| 83 | Gas Spindle Extn. G111E | FW0241 | |
| 103 | Roll Pin (Pack 5) | FW0567 | |
| 104 | Spring (Pack 5) | FW0568 | |



MORCO

Morco D61B / D61E / G111E

Pilot Assembly



MORCO

Morco D61B / D61E / G111E

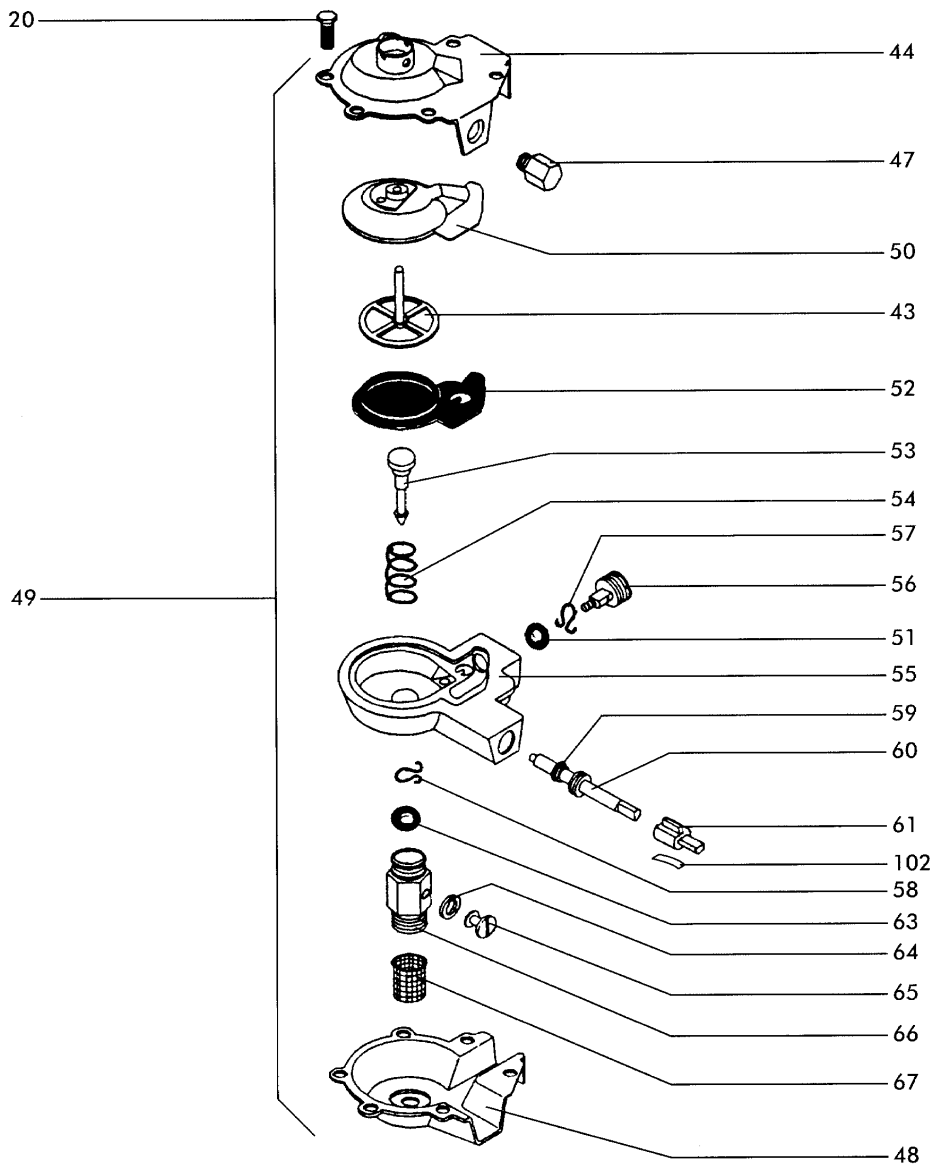
| Key No. | Description | Manufacturers No. | Burden No. |
|---------|------------------------------------|-------------------|------------|
| 68 | Pilot Bracket | FW0281 | |
| 69 | Thermocouple Circlip (Pack 5) | FW0565 | |
| 70 | Spark Electrode | FW0291 | 563122 |
| 71 | Thermocouple Lock Nut (Pack 10) | FW0566 | |
| 73 | Pilot Gas Pipe D61B,D61E | FW0310 | |
| 73 | Pilot Gas Pipe G111E | FW0311 | |
| 74 | Washer (Pack 10) | FW0545 | |
| 75 | Pilot Injector | FW0321 | 563126 |
| 76 | Washer (Pack 10) | FW0546 | |
| 77 | Pilot Burner | FW0330 | |
| 80 | Pilot Burner Kit c/w Jet | FW0320 | 563124 |
| 86 | T/cple c/w C.P.D.S.D , D61B,D61E | FW0301 | |
| 86 | T/cple c/w C.P.D.S.D., G111E | FW0302 | |
| 90 | Spark Wire D61E,G111E | FW0460 | |
| 91 | Spark Button Insert D61E,G111E | FW0450 | |
| 92 | Spark Ignitor Button D61E,G111E | FW0455 | |
| 93 | Spark Generator D61E,G111E | FW0485 | |
| 94 | Spark Generator Bracket D61E,G111E | FW0490 | |
| 95 | Spark Button Guide Brkt D61E,G111E | FW0475 | |
| 96 | Spark Assy Mtg Bracket D61E | FW0480 | |
| 96 | Spark Assy Bracket G111E | FW0481 | |
| 97 | Battery Cap D61E, G111E | FW0515 | |



MORCO

Morco D61B / D61E / G111E

Water Control Assembly



MORCO

Morco D61B / D61E / G111E

| Key No. | Description | Manufacturers No. | Burden No. |
|---------|---------------------------------------|-------------------|------------|
| 20 | Diaphragm Screw (Pack 10) | FW0562 | |
| 43 | Push Rod & Disc | FW0415 | |
| 44 | Top Water Cover Plate | FW0420 | |
| 47 | Frt Cover Hex Nut (Pack 5) D61B,E | FW0426 | |
| 47 | Frt Cover Hex Nut (Pack 5) G111E | FW0427 | |
| 48 | Lower Water Cover Plate | FW0435 | |
| 49 | Water Control Assy D61B, D61E | FW0163 | 563682 |
| 49 | Water Control Assy G111E | FW0162 | |
| 50 | Upper Protector | FW0170 | |
| 51 | Water Outlet Union O-Ring (Pack 10) | FW0535 | 563128 |
| 52 | Diaphragm | FW0180 | 563110 |
| 53 | Water Reg c/w Spring D61B,D61E | FW0193 | |
| 53 | Water Reg c/w Spring G111E | FW0192 | |
| 54 | Water Reg Spring (Pack 10) | FW0200 | |
| 55 | Lower Protector Yellow D61B, D61E | FW0214 | |
| 55 | Lower Protector Green G111E | FW0212 | |
| 56 | Water Assy Outlet Union | FW0221 | |
| 57 | Water Outlet Union Clip (Pack 10) | FW0564 | |
| 58 | Water Inlet Union Clip (Pack 10) | FW0563 | |
| 59 | Water Ctrl Spindle O-Ring (Pack 10) | FW0542 | |
| 60 | Water Control Spindle D61B, D61E | FW0232 | 563684 |
| 60 | Water Control Spindle G111E | FW0231 | |
| 61 | Spindle Extension G111E | FW0240 | |
| 63 | Water Inlet Union O-Ring (Pack 10) | FW0543 | |
| 64 | Drain Plug Washer (Pack 10) | FW0544 | |
| 65 | Drain Plug | FW0250 | 563108 |
| 66 | Water Assy Inlet Union | FW0260 | |
| 67 | Plastic Water Filter (Pack 5) | FW0271 | |
| 102 | Spindle Ext Spring Clip G111E,(Pk 10) | FW0470 | |