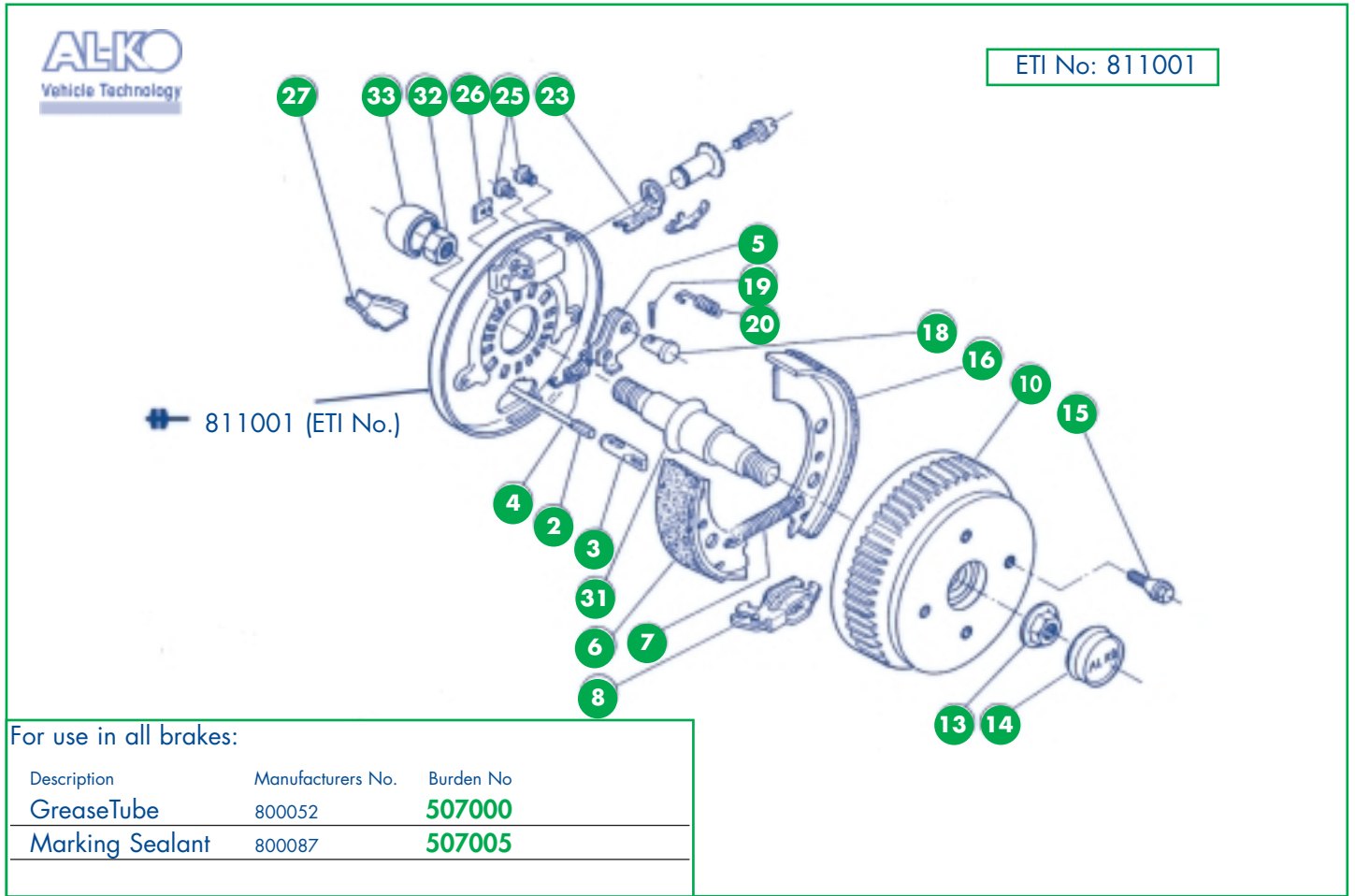


1637 Euro Axle Version



For use in all brakes:

Description	Manufacturers No.	Burden No
GreaseTube	800052	507000
Marking Sealant	800087	507005

Key	Description	Manufacturers No.	Burden No
2	Detachable Bowden Cable: 350mm outer length	299707	
	530mm	299708	
	770mm	299709	
	890mm	299710	505042
	1010mm	299711	505040
	1130mm	299712	505043
	1310mm	299713	505045
	1430mm	299714	
	1610mm	299715	
	1790mm	299716	
3	Cable Eye: cast version	371388	
	pressed version	604262	505565
4	Reverse Spring Lever LH	2188870001	505038
	Reverse Spring Lever RH	372805	505039
5	Reverse Lever LH	384308	505031
	Reverse Lever RH	384309	505032
6	Brake Shoe - Trailing (Pair)	384481	504460
7	Pull Off Spring	2182150003	505033
8	Expanding Clutch	570666	505029

Key	Description	Manufacturers No.	Burden No
10	Brake Drum Complete 98 x 4/M12 x 1.5	573188	
	100 x 4/M12 x 1.5	573189	507030
	101.6 x 4/M10 x 1.25	578822	
	112 x 5/M12 x 1.5	573190	
13	Flange Nut	581200	507010
14	Dust Cap	581197	507015
15	Wheel Bolt: Conical M12 x 1.5	2081670018	
18	Bearing Bolt	368651	504545
19	Split Pin 4 x 20 DIN 94	700192	501150
20	Shoe Retaining Spring	2088800003	505036
23	Adjuster Assy Complete	387706	504959
25	Plastic Plug	373245	504955
26	Cover Plate	2382610002	504810
27	Bowden Cable Shell	371387	504958
31	Stub Axle	581563	
32	Locking Nut	702881	
33	Cover	581196	507025