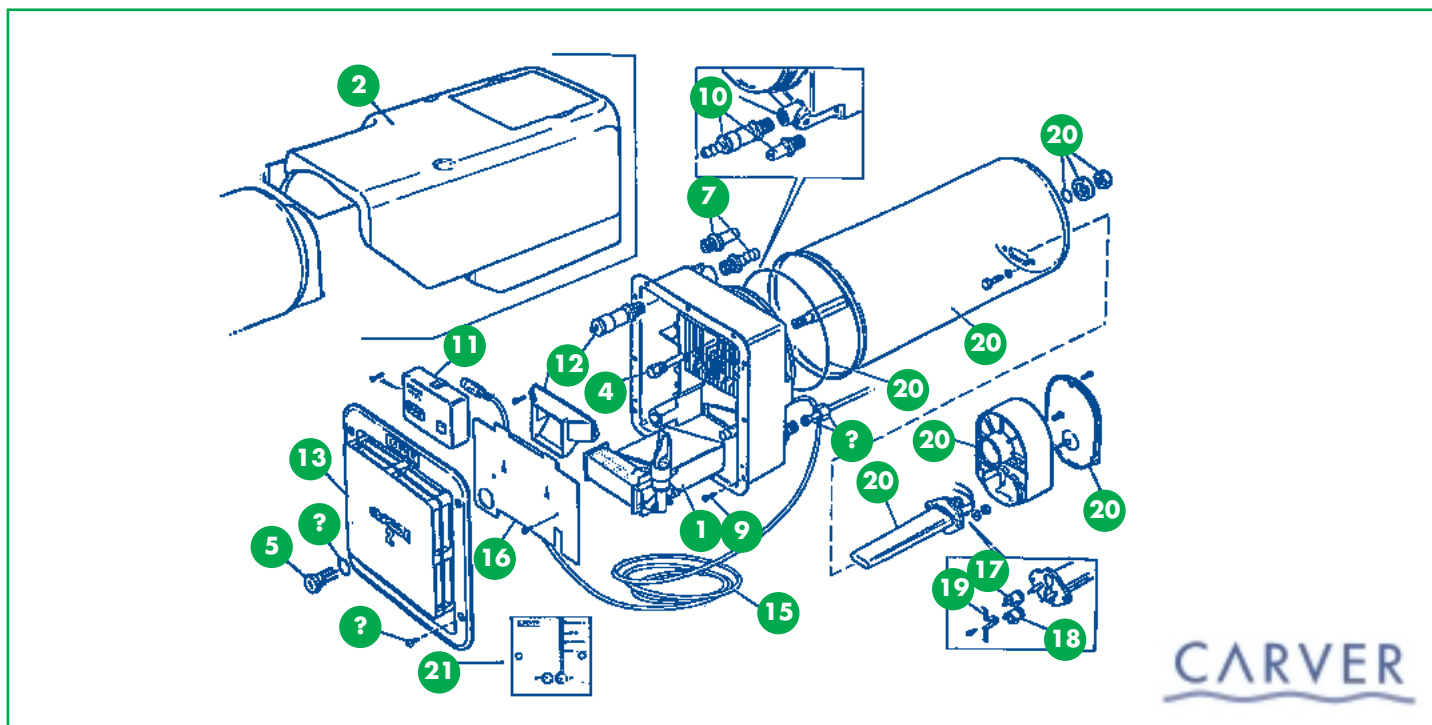


## Cascade Mk 2/GE



Please Note: Wall Switch ( Key No. 11), the difference between the Standard and the Remote is that the Standard Switch has an "Active" On / Off switch on the box.

Key	Description	Manufacturers No.	Burden No	Key	Description	Manufacturers No.	Burden No
1	Burner Control Module	70600-01		14	Fusible Plug	101034	<b>532160</b>
2	Tie Bar 12mm	102705	<b>533100</b>	15	Loom (Din)	605463	
2	Tie Bar 12mm - 16mm	101654		16	Inner Cover Plate Assy	102723	
3	Cascade 2 & GE Insulation Jacket	605650		17	GE Thermal Cut Out Reset	605582	
5	Drain Plug & O-Ring + Head (Pre 87)	101540	<b>532125</b>	18	GE Thermostat	102725	<b>531116</b>
5	Drain Plug & o-Ring + Head (Post 87)	101470	<b>532130</b>	20	GE Tank Repair Kit	109747	
6	Drain Plug o-Ring Pack 2	101022PR	<b>532140</b>	21	Wall Switch Rapide Beige	101761	<b>531112</b>
7	Hot Water Outlet Fulham Extended	101026	<b>532165</b>	21	Wall Switch Rapide Desert Sand	101951	<b>533144</b>
10	Water Inlet & Non Return Valve	101036	<b>531130</b>	23	Element 830w (220-230 volts)	101947	<b>531135</b>
11	Wall Switch Standard	101031	<b>531106</b>		Element O-Ring	102737	<b>533101</b>
12	Pressure Relief Valve Fast Drain	101039	<b>531105</b>		Tank O-Ring Pack 10	102742	
13	Flue Cowl Assy Casc. 2 Plus, Ivory	101583	<b>531120</b>		Tank O-Ring Singles	605270	
13	Flue Cowl Assy Casc. 2 Plus. White	101582	<b>531118</b>		9Ltr Tank GE (Tank Only)	102741	
					O-Ring Washer & Tie Rod Nuts	102743	<b>533102</b>
					Immersion Heater Housing	102744	
					1 amp Fuse 20 x 5mm	102746	<b>NLA</b>
					Relay 220/240v (Intro. 1998 onwards)	102751	<b>533145</b>

Note: When ordering Tank Repair Kits ( Key 2 ) and you are fitting to a system made prior to 1991 you should order Tie Bar ( Key 20 531122 )

Note: When ordering Wall Switches ( Key 21) the only difference between 531112 and 533144 is the wording on the switch. e.g. "Rapide" on 531112 and 533144.